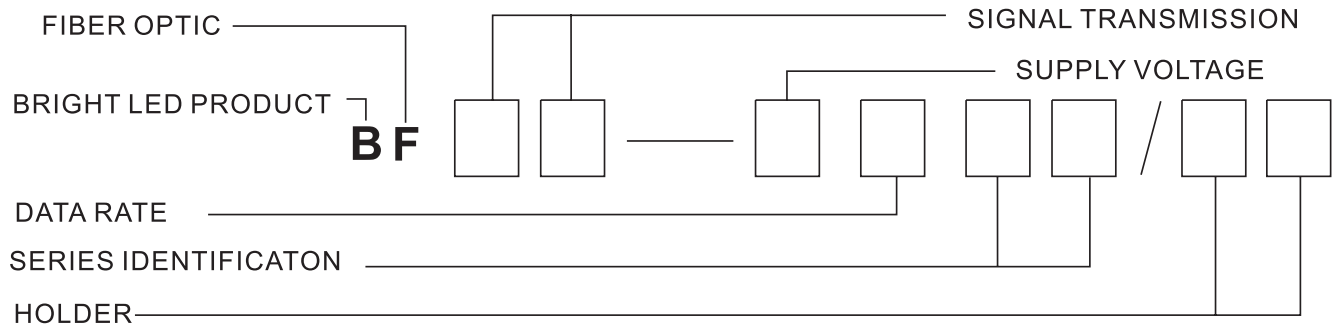




Photo Link Series

SELECTION GUIDE (PART NO. SYSTEM)



SIGNAL TRANSMISSION:

TX: Transmitter

RX: Receiver

SUPPLY VOLTAGE:

1: Vcc=5V

2: Vcc=3V

DATA RATE:

0: 12Mbps

1: 6Mbps

2: 13.2Mbps

3: 50Mbps

SERIES IDENTIFICATION:

00: Type 1

01: Type 2

HOLDER:

H1: Compatible sharp type.

H2: Compatible Toshiba type.

H3: Compatible sharp type.

H4: Compatible Toshiba type.

H5: Compatible sharp anti-dust type.