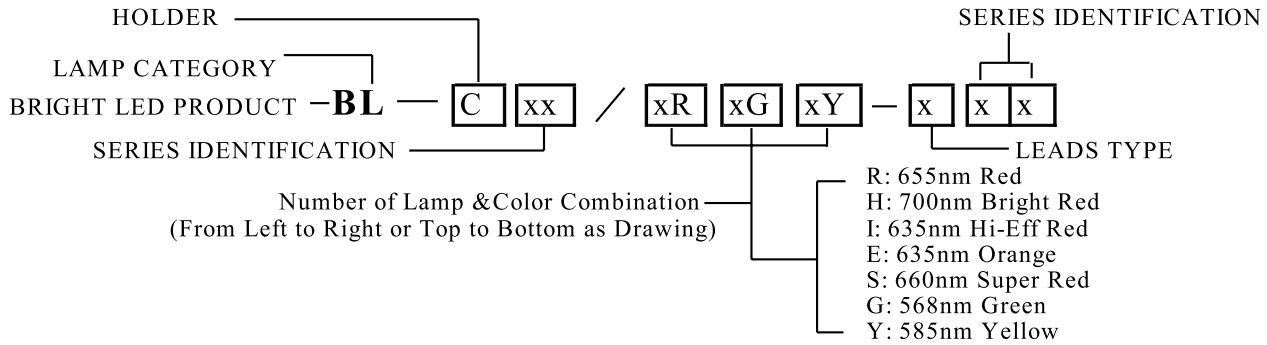




Lamp/Holder Assembly

MODEL NO. & SELECTION GUIDE:



H-01	BL-C13A/G-37N Series	H-02	BL-C13C/G-37N Series
H-03	BL-C15A/G-31H Series	H-04	BL-C17/G-32N Series
H-05	BL-C19/G-37E Series	H-06	BL-C19A/G-37E Series

- Notes
1. All Dimensions are in millimeters (inches).
 2. Tolerance is $\pm 0.25\text{mm}$ (.010").